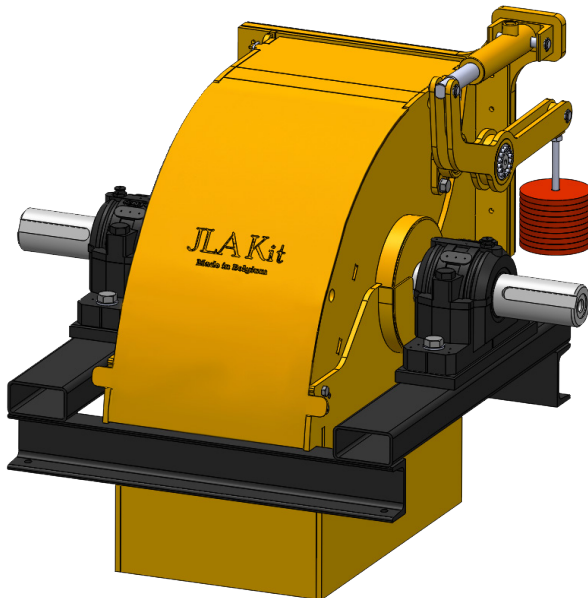


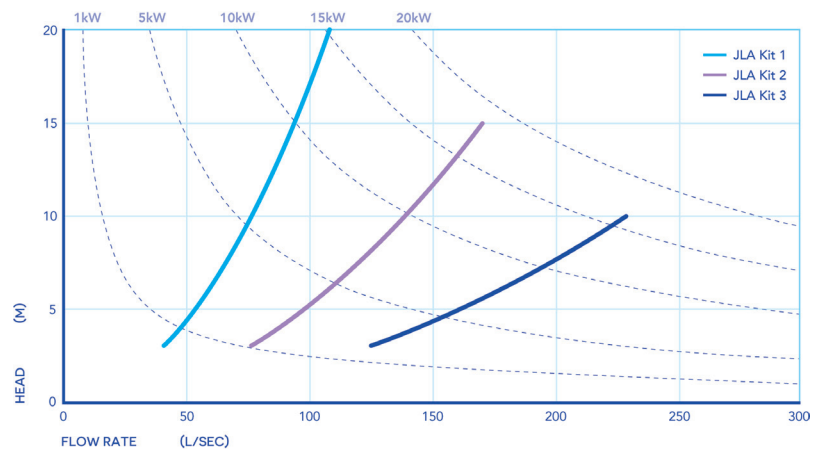


The JLA KIT

The small hydraulic turbine accessible to all



Head	3 to 20 m
Flow	40 to 230 l/s
Mechanical power	2 to 20 kW
Rotation speed	200 to 600 rpm
Efficiency	> 70% down to 50% of nominal flow
Water inlet	Horizontal

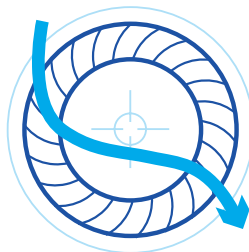


ADVANTAGES :

- ▼ Simple assembly
- ▼ Efficiency and reliability
- ▼ Reduced cost, thanks to the standardization of the range and thanks to the transfer of the assembly to the buyer
- ▼ Technology inspired by a proven turbine concept
- ▼ Robustness of the shaft line, with cast iron bearings and high-quality bearings
- ▼ Easy maintenance, thanks to all essential components being easily accessible and removable

The JLA Kit is an innovative concept of hydraulic turbine, specially designed to be assembled directly by the buyer, offering excellent value for money. Its uniqueness lies in its kit design, with components that are easy to assemble in a basic mechanical workshop.

This Cross-flow type turbine benefits from JLA Hydro's recognized expertise in the field.



The JLA Kit is ideal for sites with power potential below 20 kW, whether for electrical energy production or mechanical drive of small mills, irrigation pumps, and other applications.

The JLA Kit is a turbine designed for sites where the development work is within the reach of local technical and financial resources.

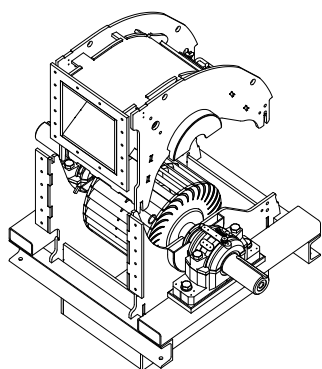
With the JLA Kit, we provide an energy solution that is both ecological, economical, and efficient.

**Our Passion,
Your Energy**

Experts in hydro power and renewable energies.

ASSEMBLY :

With good mechanical construction and welding skills, as well as a minimally equipped workshop, assembly and installation are a breeze, thanks to the assembly instructions provided with the kit.



MAINTENANCE :

Maintenance needs are very limited:

- ▼ Periodic lubrication of bearings
- ▼ Annual inspection of the runner through an inspection hatch



All design and manufacturing stages of our turbines are carried out exclusively in Belgium, in our workshops. We ensure rigorous quality control throughout the machining and assembly process.

Many customers have been attracted and impressed by the ease of installation and maintenance of these high-performance turbines.

JLA Hydro provides complete turbo-generator units to equip power plants undergoing renovation or greenfield sites. The skills of its engineers are put to use to find the best technical solutions based on the site's characteristics and the customer's needs and expectations.

CONTACT US NOW TO DISCUSS YOUR PROJECT!

Rue de l'industrie, 19
5330 Assesse
Belgium

+32 83 68 91 19
info@jlahydro.be
www.jlahydro.be